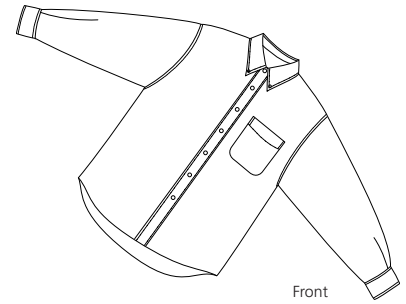
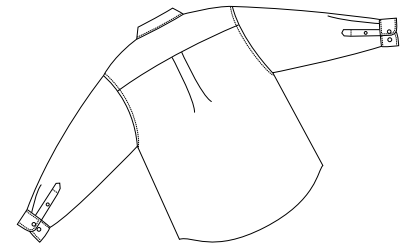


Yarn Dye Pattern Shirt

PORT | AUTHORITY®
SIGNATURE



Front



Back

S622

- * 55/45 cotton/rayon * Yarn-dyed woven pattern * 2 back pleats
- * Button-through sleeve plackets * Adjustable cuffs * Hidden button-down collar
- * Dyed-to-match pearlized buttons * Patch pocket

Care Instructions:

Machine wash cold with like colors.
Do not bleach. Do not dry clean.
Tumble dry low. Remove promptly.
Warm iron if necessary.

Finished measurements in inches

Size	XS	S	M	L	XL	2XL	3XL	4XL
Chest	20	21.5	23	25	27	28.5	30	31.5
Body	26.5	28.5	32	32.5	34	34.5	35.5	36
Sleeve	31	32.5	34.5	35.5	37	38	39	40
Collar	15.6	16	16.5	17	17.5	18	18.5	19
Pocket	4.5x5	4.5x5	4.62x5.12	4.62x5.12	4.62x5.12	4.62x5.12	4.87x5.37	4.87x5.37

Chest width measured 1" below arm hole. Body length measured from back neck seam to hem.
Sleeve length measured from center back neck seam to hem. Collar measured by circumference. Pocket WxH.

Colors



Please Note:

Colors shown are approximate and for reference only. Because of the two tone coloring PMS matching is not possible, Grommeted or Returnable samples are recommended.

Color chart

Base colors	Black & White	Blue & White	Charcoal Green	Light Sand	Smokey Blue
Textile PMS	No Match	No Match	No Match	No Match	No Match
General PMS	No Match	No Match	No Match	No Match	No Match